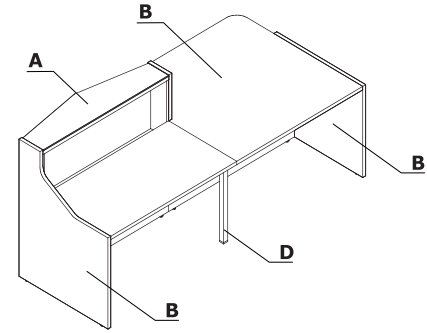
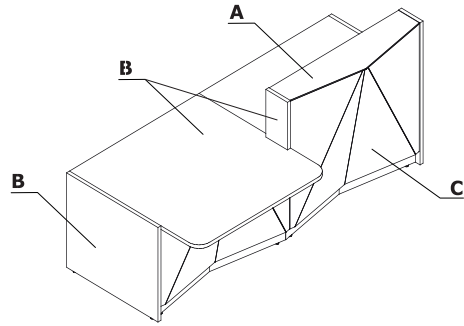


.mdd

Reception desks

v2 / 01.04.2023

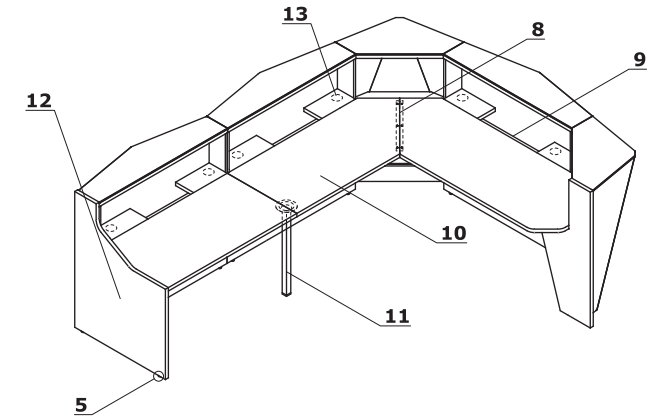
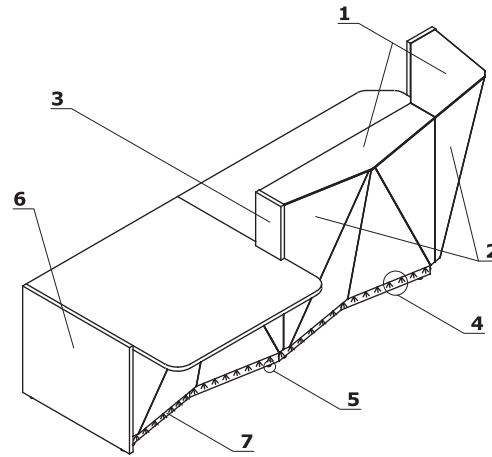
Color combination - Alpa



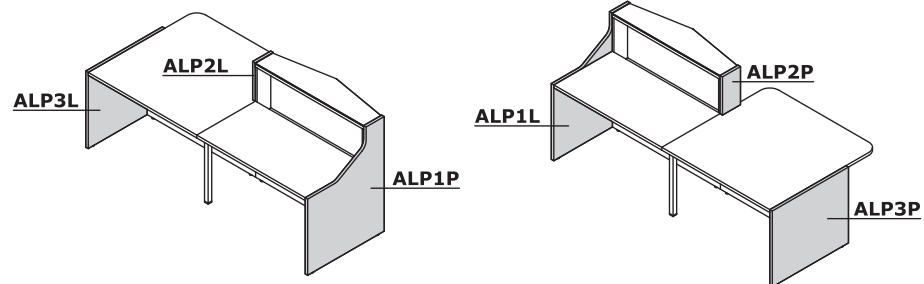
Material	Color	All elements															
		A - Upper top	B - Body	C - Front	D - Supporting legs												
Glass	116 - glass black - RAL 9005	✓	08 - black	✓													
	117 - glass white - RAL 9003	✓	67 - white pastel	✓													
	124 - glass silver - RAL 9007	✓	26 - aluminum satinato	✓													
Metal	M009 - aluminium semi-matt RAL 9006				✓												
	M015 - white semi-matt RAL 9010				✓												
	M115 - black semi-matt RAL 9005				✓												

Technical specification

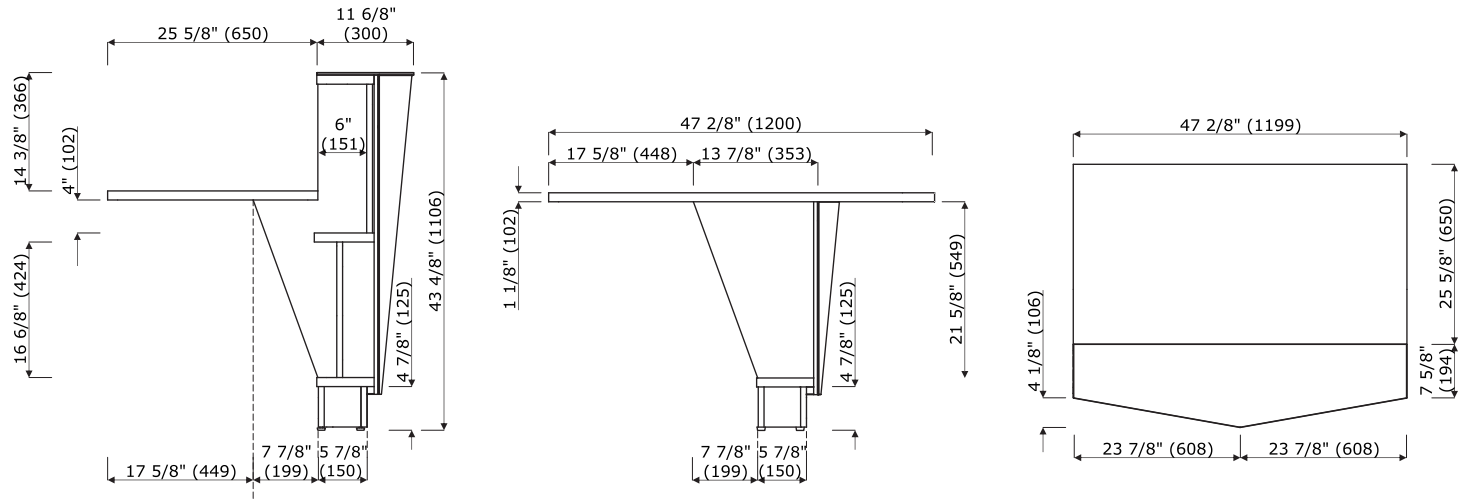
- 1 Top** - MFC 1 1/8" (28 mm), tempered glass 3/8" (8 mm)
- 2 Front** - MFC 4/8" (12 mm) + Glass LACOBEL 1/8" (4 mm)
- 3 Side panel linking low and heigh fronts** - MFC 1 1/8" (28 mm), ABS edge
- 4 LED illumination** - at the full length of the reception desk, cold white color (verging on the blue shade)
- 5 Leveling** - 2/8" (5 mm) range
- 6 Low side panel** - MFC 1 1/8" (28 mm), ABS edge
- 7 Kick plate** - HPL - brushed aluminum
- 8 Fixing flat bar**
- 9 Monitor shelf** - MFC 1 1/8" (28 mm)
- 10 Worktop** - MFC 1 1/8" (28 mm), ABS edge, fitted with 2 MFC-caps
- 11 Supporting leg** - NG41 - powder coated steel, required for connecting the tops
- 12 High side panel** - MFC 1 1/8" (28 mm), ABS edge
- 13 Cable grommets** - Ø3 1/8 (Ø80 mm)

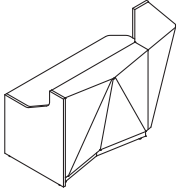
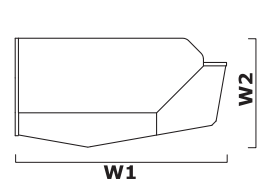
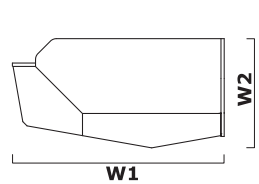


Ending elements application

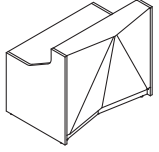
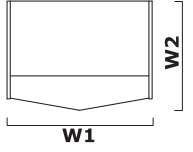


Dimensions (inch/mm)

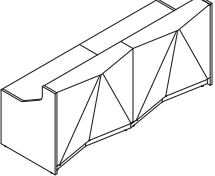
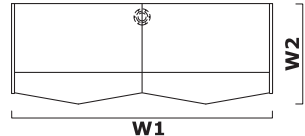


											
Symbol		Price USD	Dimensions					kg m3 pcs	Composition elements		
A	B		W1	W2	D1	D2	H				
ALP04L	ALP04P		1835 72 2/8"	946 37 2/8"			1100 43 2/8"	214.25 kg 1.047 m3 7 pcs	A - ALP18L+ALP1P B - ALP1L+ALP18P		

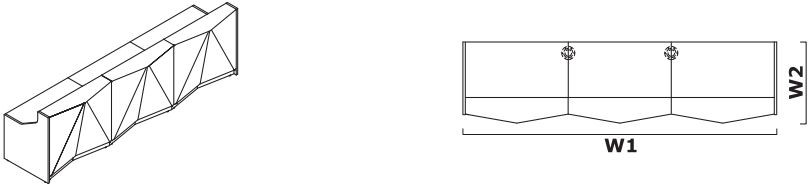
Extra charge						

									
Symbol		Price USD	Dimensions					kg m3 pcs	Composition elements
W1	W2		D1	D2	H				
ALP05			1256 49 4/8"	946 37 2/8"			1100 43 2/8"	150.85 kg 0.782 m3 5 pcs	ALP1L+ALP12+ALP1P

Extra charge						

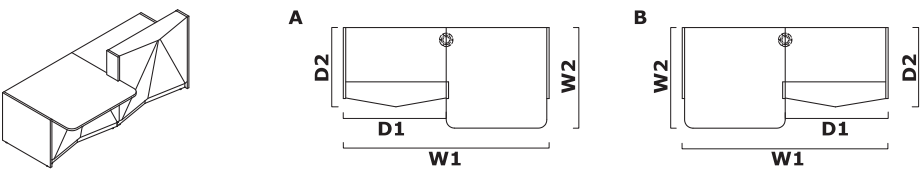
									
Symbol		Price USD	Dimensions					kg m3 pcs	Composition elements
W1	W2		D1	D2	H				
ALP06			2456 96 6/8"	946 37 2/8"			1100 43 2/8"	69.35 kg 0.131 m3 7 pcs	ALP1L+2xALP12+ALP1P+NG41

Extra charge						



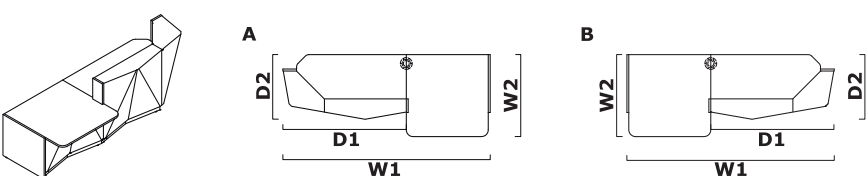
Symbol	Price USD	Dimensions					kg m3 pcs	Composition elements
		W1	W2	D1	D2	H		
ALP07		3656 143 7/8"	946 37 2/8"			1100 43 2/8"	391.85 kg 2.214 m3 13 pcs	ALP1L+3xALP12+ALP1P+2xNG41

Extra charge					



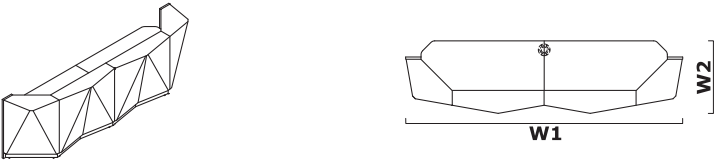
Symbol		Price USD	Dimensions					kg m3 pcs	Composition elements
A	B		W1	W2	D1	D2	H		
ALP21L	ALP21P		2456 96 6/8"	1200 47 2/8"	1228 48 3/8"	950 37 3/8"	1100 43 2/8"	245.4 kg 1.273 m3 10 pcs	A - ALP3L+ALP11+ALP2L+ALP12+ALP1P+NG41 B - ALP1L+ALP12+ALP2P+ALP11+ALP3P+NG41

Extra charge					



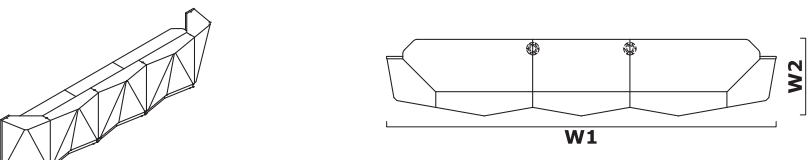
Symbol		Price USD	Dimensions					kg m3 pcs	Composition elements
A	B		W1	W2	D1	D2	H		
ALP22L	ALP22P		3034 119 4/8"	1200 47 2/8"	1806 71 1/8"	950 37 3/8"	1100 43 2/8"	309.7 kg 1.538 m3 12 pcs	A - ALP3L+ALP11+ALP2L+ALP18P+NG41 B - ALP18L+ALP2P+ALP11+ALP3P+NG41

Extra charge					



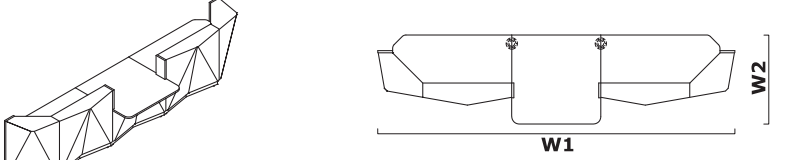
Symbol	Price USD	Dimensions					kg m3 pcs	Composition elements
		W1	W2	D1	D2	H		
ALP15		3613 142 2/8"	946 37 2/8"			1100 43 2/8"	399.05 kg 2.029 m3 13 pcs	ALP18L+ALP18P+NG41

Extra charge						



Symbol	Price USD	Dimensions					kg m3 pcs	Composition elements
		W1	W2	D1	D2	H		
ALP16		4813 189 4/8"	946 37 2/8"			1100 43 2/8"	519.55 kg 2.745 m3 17 pcs	ALP18L+ALP12+ALP18P+2xNG41

Extra charge						



Symbol	Price USD	Dimensions					kg m3 pcs	Composition elements
		W1	W2	D1	D2	H		
ALP25		4813 189 4/8"	1200 47 2/8"			1100 43 2/8"	498.6 kg 2.534 m3 19 pcs	ALP18L+ALP2L+ALP11+ALP2P+ALP18P+2xNG41

Extra charge						

Symbol		Price USD	Dimensions					kg m3 pcs	Composition elements
			W1	W2	D1	D2	H		
ALP14			2514 98 8/8"	2514 98 8/8"	1568 61 6/8"	1568 61 6/8"	1100 43 2/8"	463.65 kg 2.307 m3 14 pcs	

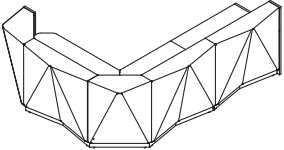
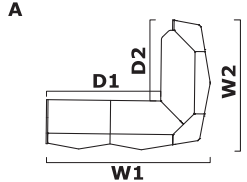
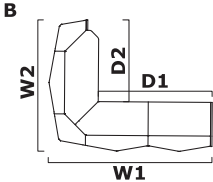
Extra charge					

Symbol		Price USD	Dimensions					kg m3 pcs	Composition elements
			W1	W2	D1	D2	H		
ALP24L	ALP24P		3967 156 1/8"	3135 123 3/8"	2768 108 8/8"	950 37 3/8"	1100 43 2/8"	616.6 kg 3.248 m3 21 pcs	A - ALP3L+ALP11+ALP2L+ALP90+ALP18P+2xNG41 B - ALP18L+ALP90+ALP2P+ALP11+ALP3P+2xNG41

Extra charge					

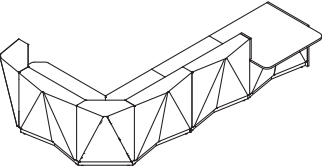
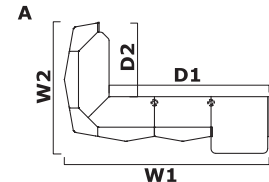
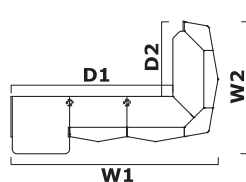
Symbol		Price USD	Dimensions					kg m3 pcs	Composition elements
			W1	W2	D1	D2	H		
ALP23L	ALP23P		3135 123 3/8"	2767 108 7/8"	2189 86 1/8"	1568 61 6/8"	1100 43 2/8"	494.4 kg 2.532 m3 17 pcs	A - ALP3L+ALP11+ALP2L+ALP19P+NG41 B - ALP19L+ALP2P+ALP11+ALP3P+NG41

Extra charge					

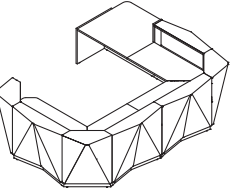
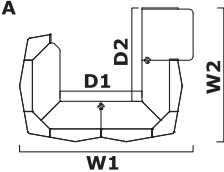
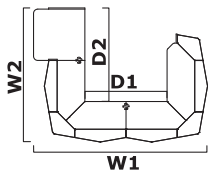
Symbol		Price USD	Dimensions					kg m3 pcs	Composition elements
A	B		W1	W2	D1	D2	H		
ALP17L	ALP17P		3135 123 3/8"	2514 98 8/8"	2189 86 1/8"	1568 61 6/8"	1100 43 2/8"	521.55 kg 2.757 m3 16 pcs	A - ALP19L+ALP12+ALP1P+NG41 B - ALP1L+ALP12+ALP19P+NG41

Extra charge					

Symbol		Price USD	Dimensions					kg m3 pcs	Composition elements
A	B		W1	W2	D1	D2	H		
ALP26L	ALP26P		4335 170 5/8"	2767 108 7/8"	3390 133 4/8"	1568 61 6/8"	1100 43 2/8"	614.9 kg 3.248 m3 21 pcs	A - ALP3L+ALP11+ALP2L+ALP12+ALP19P+2xNG41 B - ALP19L+ALP12+ALP2P+ALP11+ALP3P+2xNG41

Extra charge					




Symbol		Price USD	Dimensions					kg m3 pcs	Composition elements
A	B		W1	W2	D1	D2	H		
ALP27L	ALP27P		4069 160 2/8"	3135 123 3/8"	1922 75 5/8"	2189 86 1/8"	1100 43 2/8"	801.3 kg 4.242 m3 26 pcs	A - ALP3L+ALP11+ALP2L+ALP90+ALP19P+2xNG41 B - ALP19L+ALP90+ALP2P+ALP11+ALP3P+2xNG41

Extra charge					







MFC

 08 - black	 26 - aluminum satinato	 31 - canadian oak	 64 - cocoa	 67 - white pastel	 106 - lowland walnut	 167 - grey oak	 168 - natural oak
 169 - honey oak	 170 - acacia	 172 - amber oak	 173 - robinia				








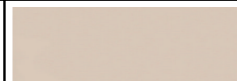


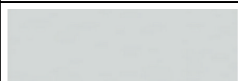




Metal

 M009 - aluminium semi-matt RAL 9006	 M015 - white semi-matt RAL 9010	 M115 - black semi-matt RAL 9005
---	---	---

Glass

 116 - glass black - RAL 9005	 117 - glass white - RAL 9003	 124 - glass silver - RAL 9007	 134 - glass turquoise - NCS S 4050B20G	 135 - glass yellow - RAL DESIGN 0908080	 136 - glass pink - RAL DESIGN 3404045
---	---	--	---	---	---

HPL

 26 - aluminum satinato	 31 - canadian oak	 67 - white pastel	 73 - white high gloss	 101 - black high gloss	 148 - grey high gloss	 155 - anthracite high gloss	 174 - beige matte
 175 - truffle matte	 176 - red matte	 177 - grey matte	 178 - avocado matte	 179 - bottle green matte	 180 - Prussian blue matte	 184 - sky-blue matte	